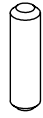


# OK6060 OHK6060

SV031



16 x ZP  
ø8 x 45



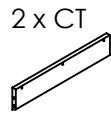
20 x ZN  
ø8 x 30



8 x ZF  
4,5 x 45

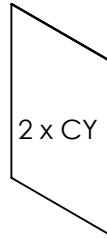
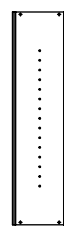


10 x ZB  
3,5 x 40



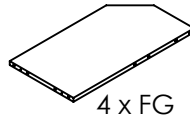
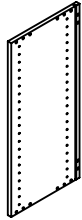
2 x CT

1 x AJ

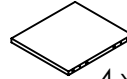


2 x CY

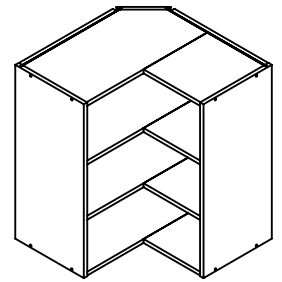
2 x CG



4 x FG



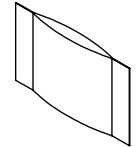
4 x FF



12 x ZM  
1,5 x 27

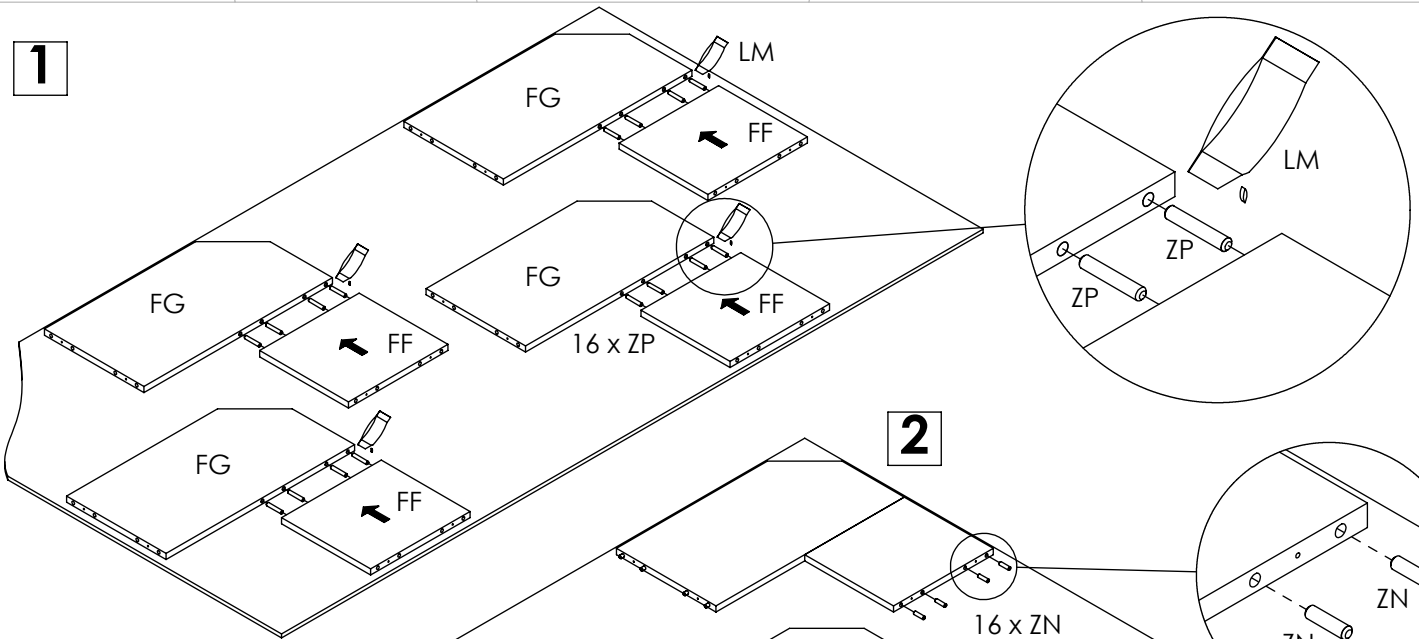


10 x ZQ

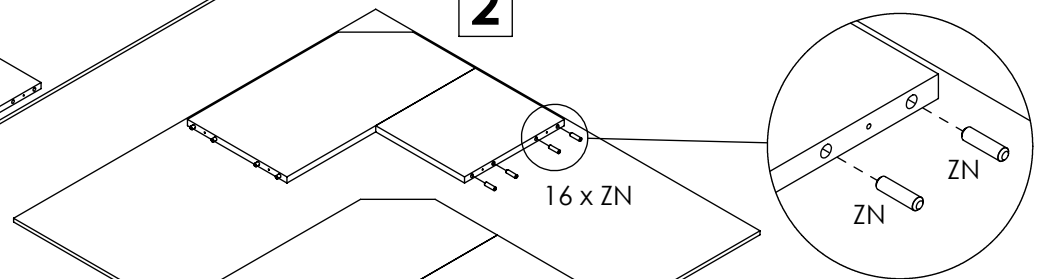


1 x LM

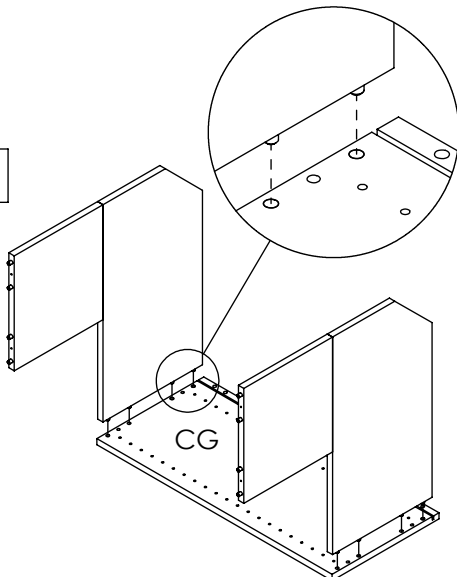
**1**



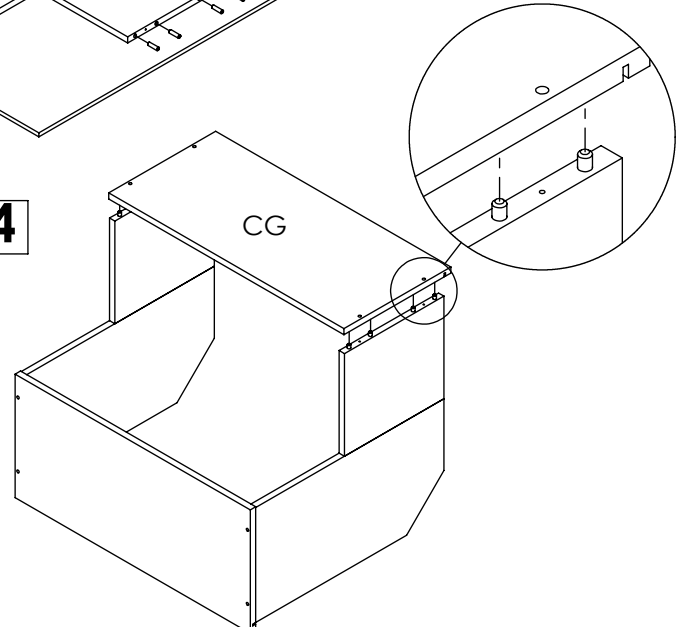
**2**



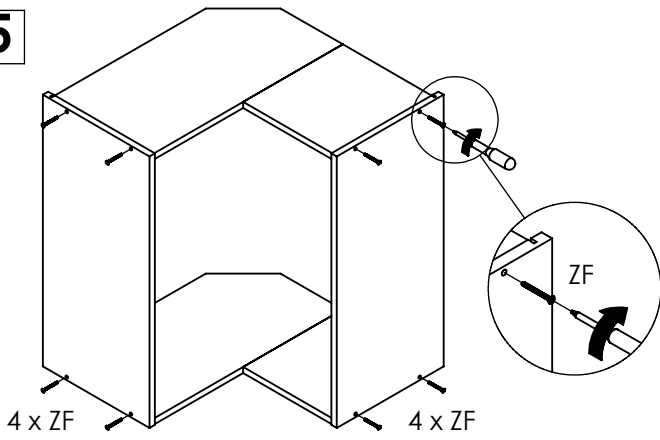
**3**



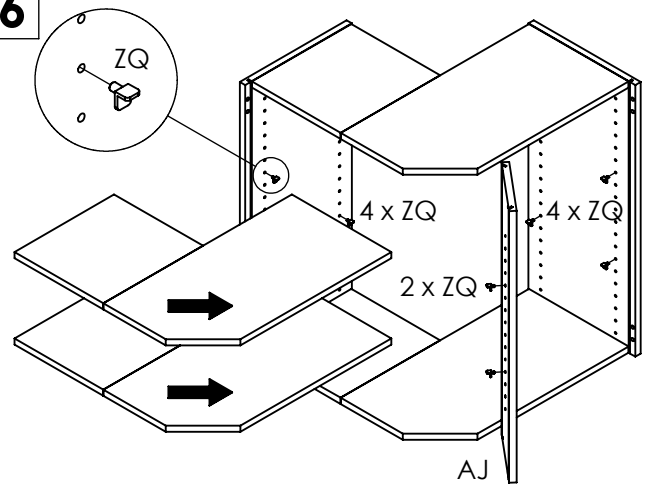
**4**



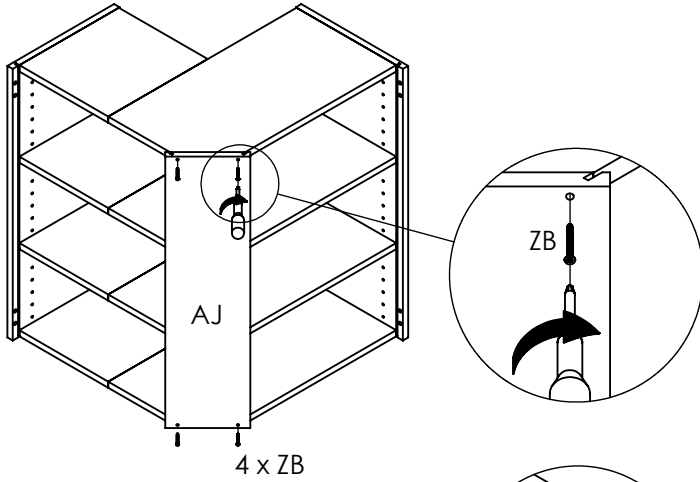
5



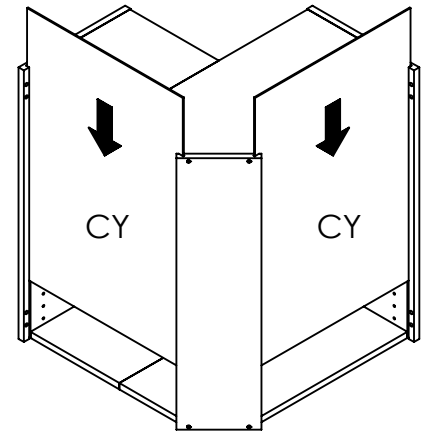
6



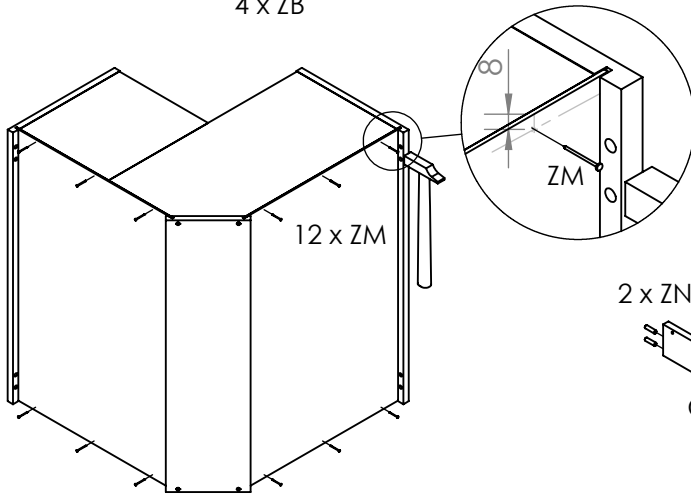
7



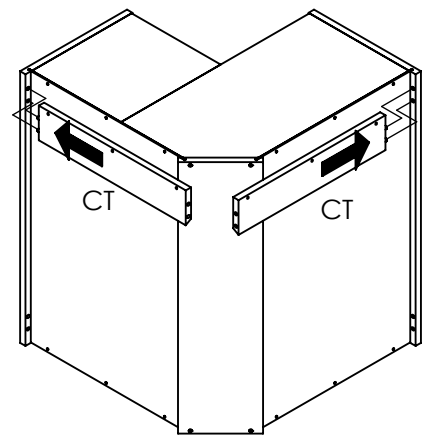
8



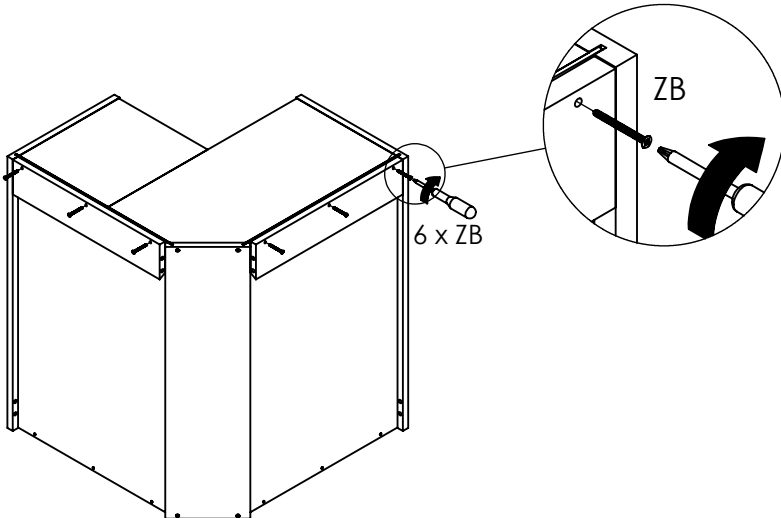
9



10

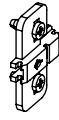


10

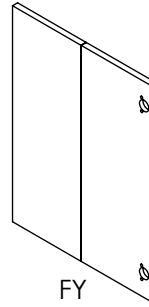


# OK61- OHK61-

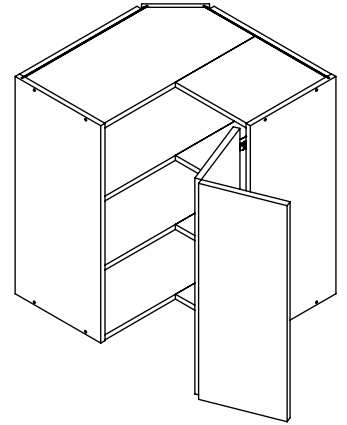
SV031



2 x HA



FY



2 x ZG  
3,5 x 15



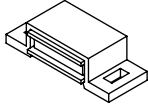
1 x ZC  
3,0 x 12



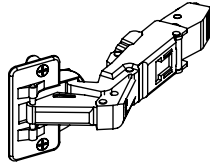
2 x ZY



1 x MB

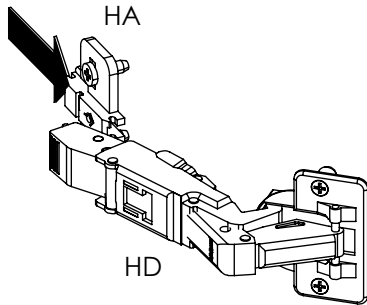


1 x MA

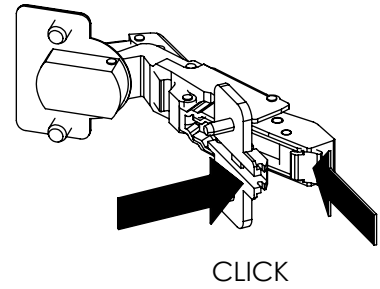


2 x HD

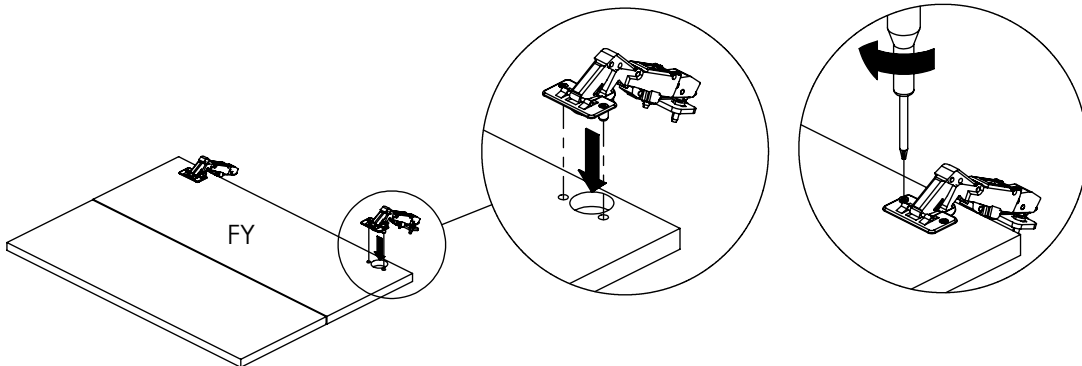
11a



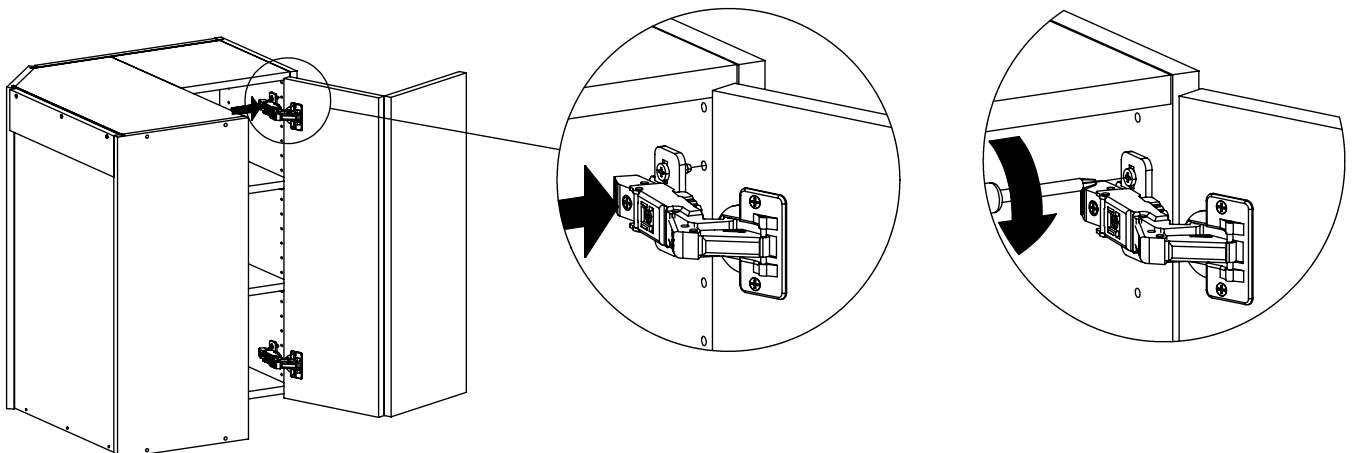
11b



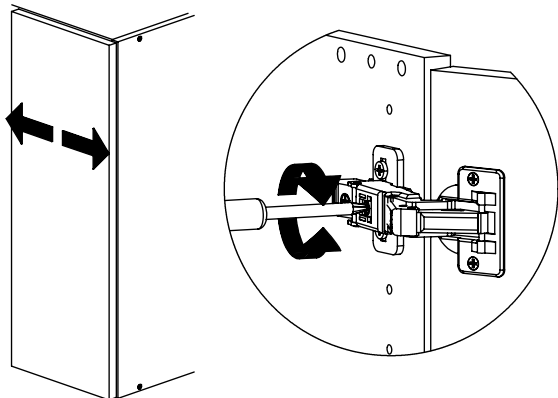
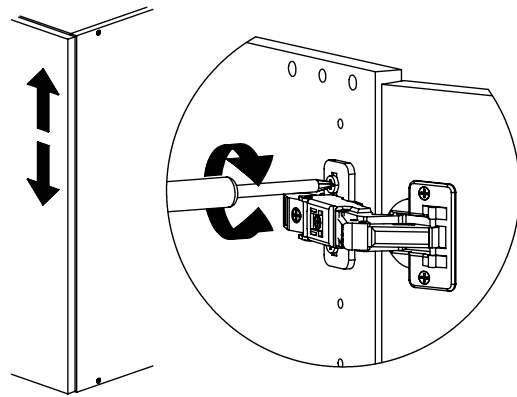
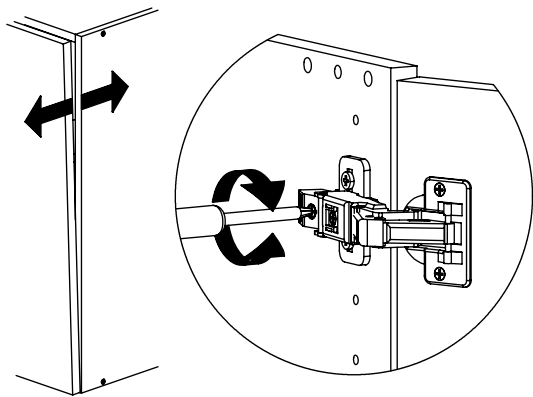
12



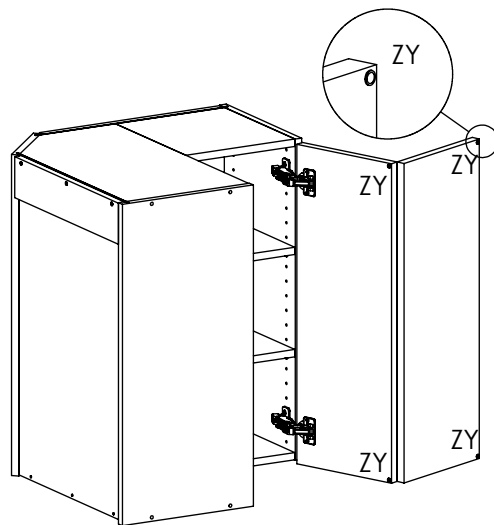
13



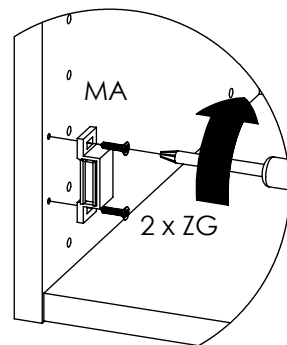
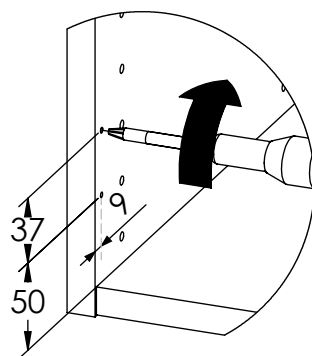
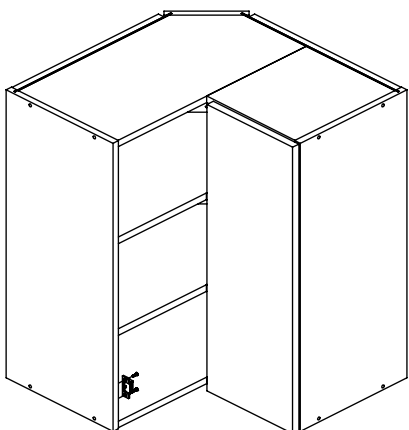
14



15



16



17

