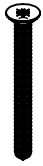


S29

SV007



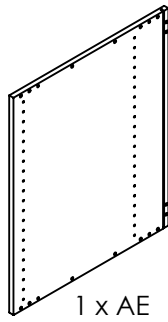
22 x ZN
8x30



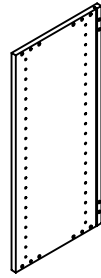
8 x ZF
4,5x45



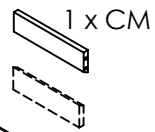
12 x ZQ



1 x AE



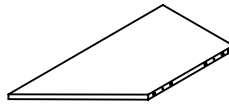
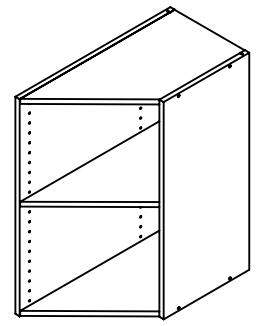
1 x CG



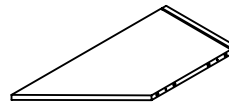
1 x CM



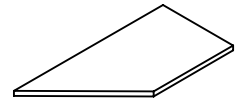
1 x CN



1 x CJ

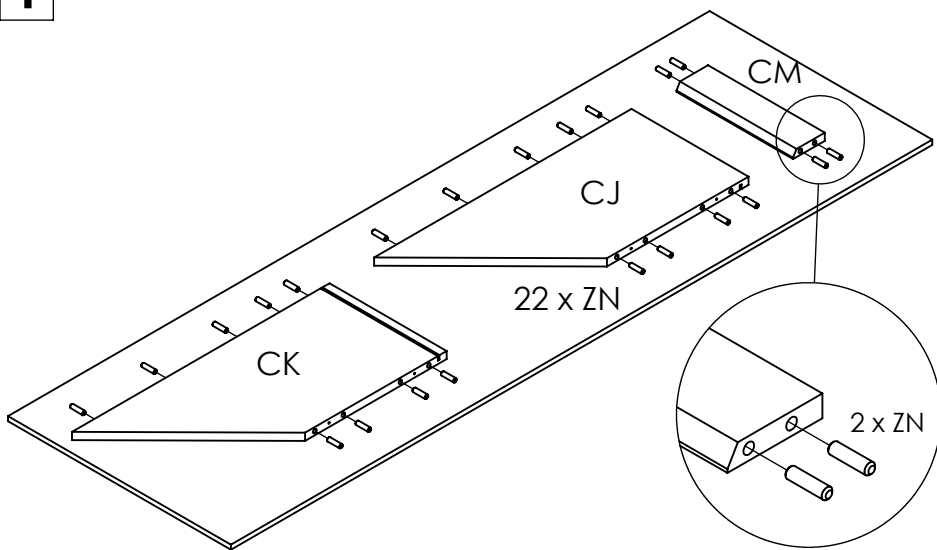


1 x CK

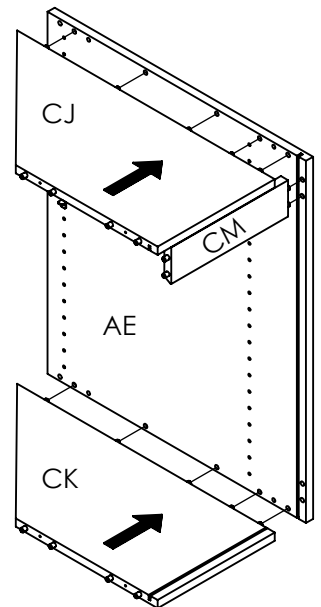


1 x CH

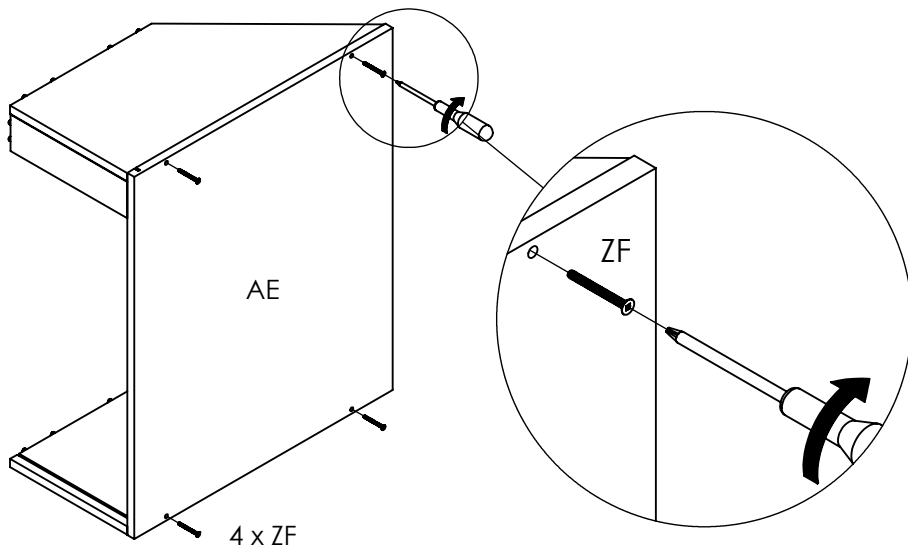
1



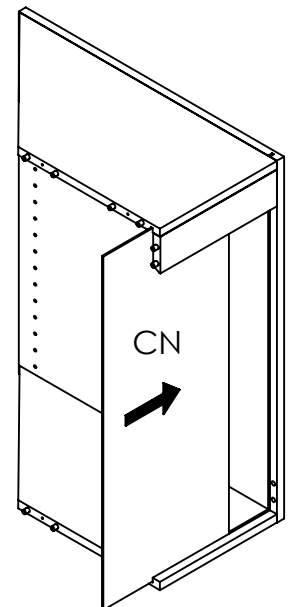
2



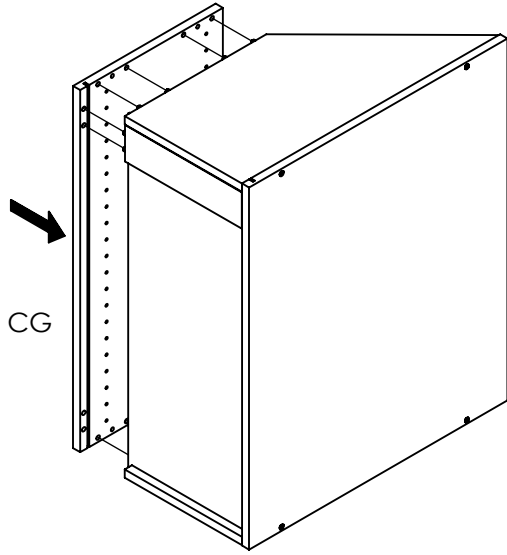
3



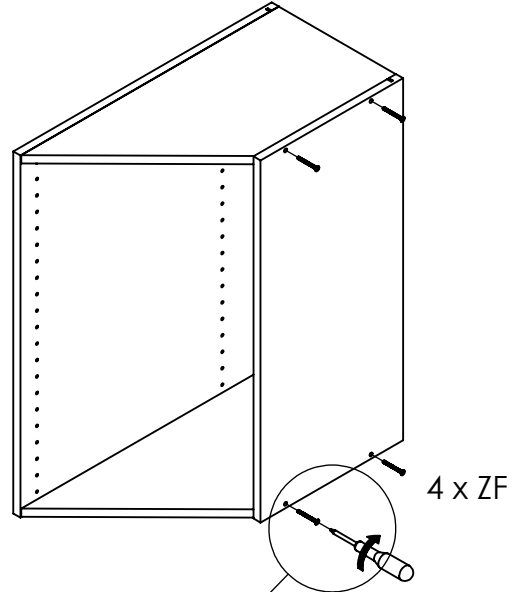
4



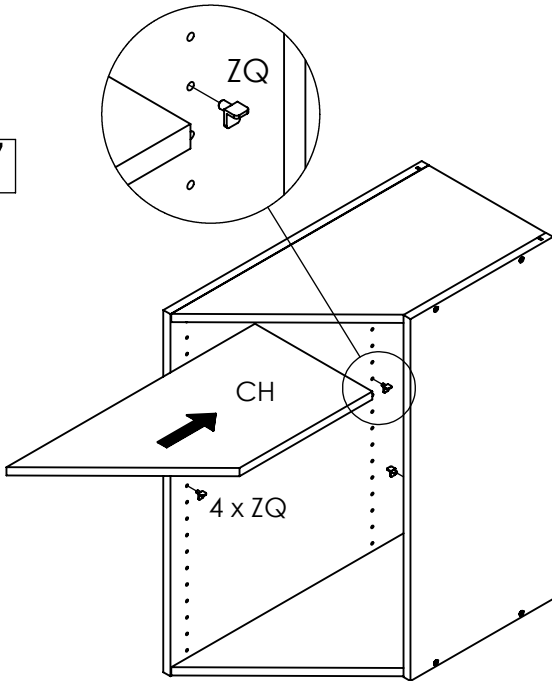
5



6



7



8

